

A

PERSONALIZE COLLECTION

A true playground for design, the Personalize Collection invites endless customization—crafted to create one-of-a-kind statement pieces for any aesthetic.

CHANTAL
GRAND TRACK ARM



With its sleek 5-inch profile, Chantal offers a refined balance of modern simplicity and inviting comfort, customizable to your vision.

GISELLE
SLOPE ARM



With a gently sloping arm that tapers elegantly from frame to front, this customizable sofa balances tailored style and exceptional comfort.

MARGO
ROLLED ARM



With its softly rounded silhouette, Margo delivers enduring style that adapts effortlessly from traditional to modern, tailored entirely to you.

ODETTE
SOFT CURVE ARM



Odette's softly sloped, quarter-moon arm creates an artful focal point, designed to be personalized from fabric to finish.

TALI
PETITE TRACK ARM



Defined by a streamlined 4-inch silhouette, the Tali Petite Track Arm adds modern edge and personalization to any setting.



customized luxury PERSONALIZE

Choose your form, perfect the proportions, and finish it your way. From chair to chaise sectional, each piece is tailored in premium, performance-ready fabrics or leathers, with customizable cushions, arm styles, and leg finishes.

- Five unique styles
- High- or low-profile options available without changing seat depth or seat height
- Wood and metal leg options*
 - Dune, Ebony, Mink, Natural Walnut, or Oiled Ash
 - Polished Nickel, Antique Brass, or Burnished Bronze
- Three depth options: Grand, Studio, or Micro
- Cushion configuration options: Three, Two, or Bench
Seat options available
- Cushion fill options: Down, Trillium, or Foam
- Hundreds of leathers and fabrics

Regan Paluch
Home Furnishings Collective

regan@reganpaluch.com | www.reganpaluch.com

customized luxury
PERSONALIZE

STYLES

Available Models: Chair, Loveseat, Sofa, Sectional, & Ottomans



CHANTAL



GISELLE



MARGO



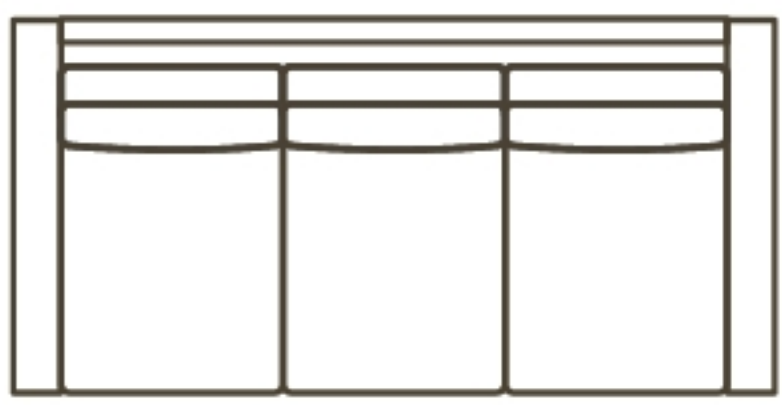
ODETTE



TALI

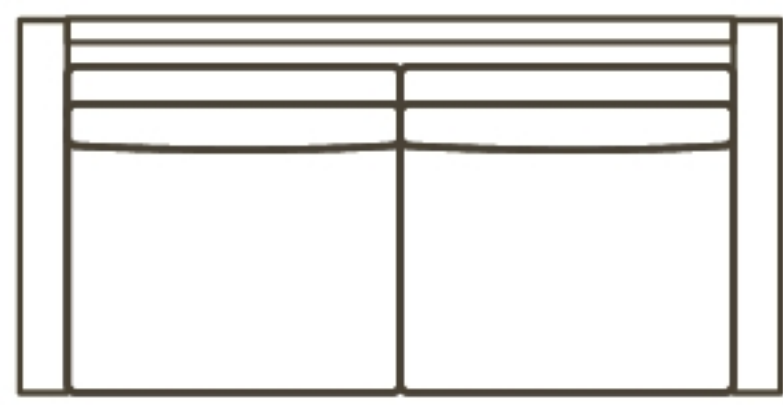
CUSHION STYLE

THREE SEAT CUSHIONS



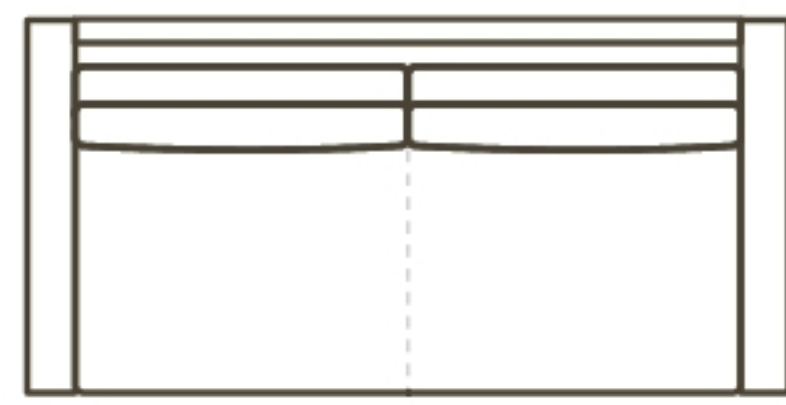
Three seat cushions bring structure and balance to the sofa, offering a classic, well-proportioned look.

TWO SEAT CUSHIONS



Two seat cushions create a subtle statement, defined by clean lines and a modern, tailored look.

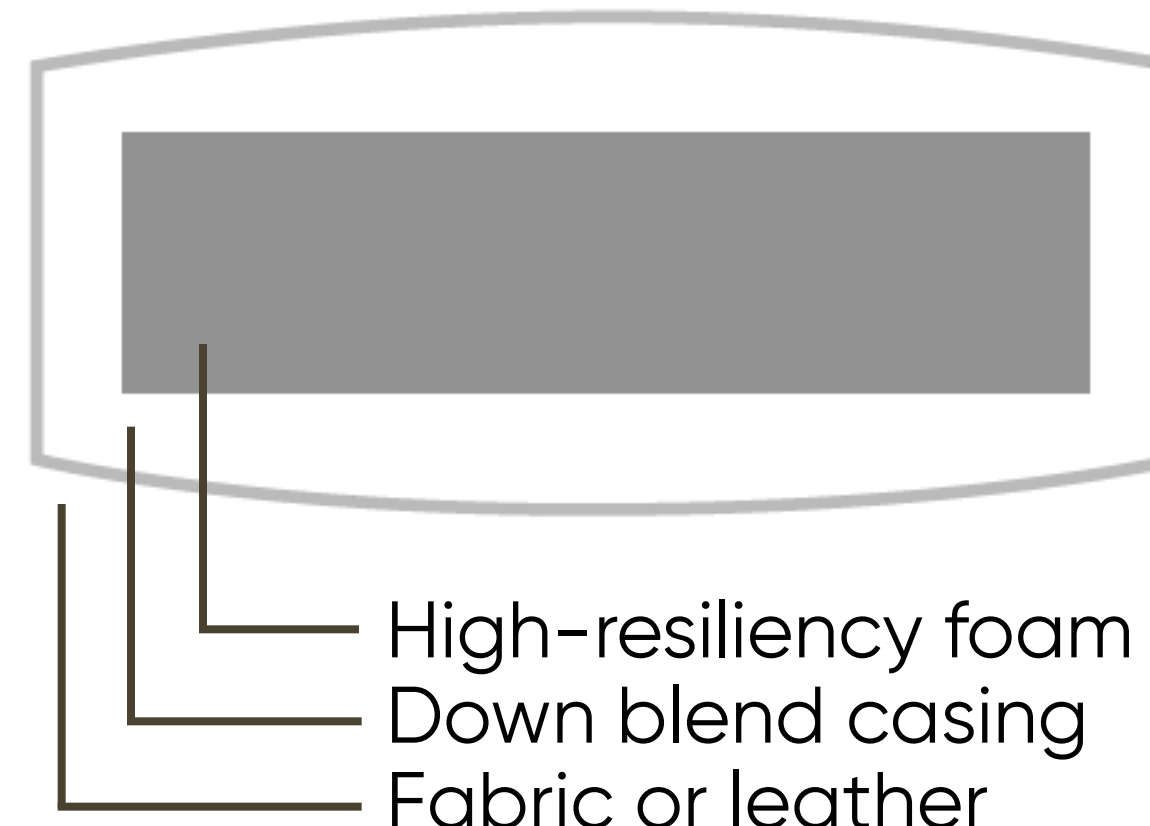
BENCH SEAT CUSHION



With its streamlined, one-cushion design, **bench seating** offers modern refinement while visually enlarging the sofa.

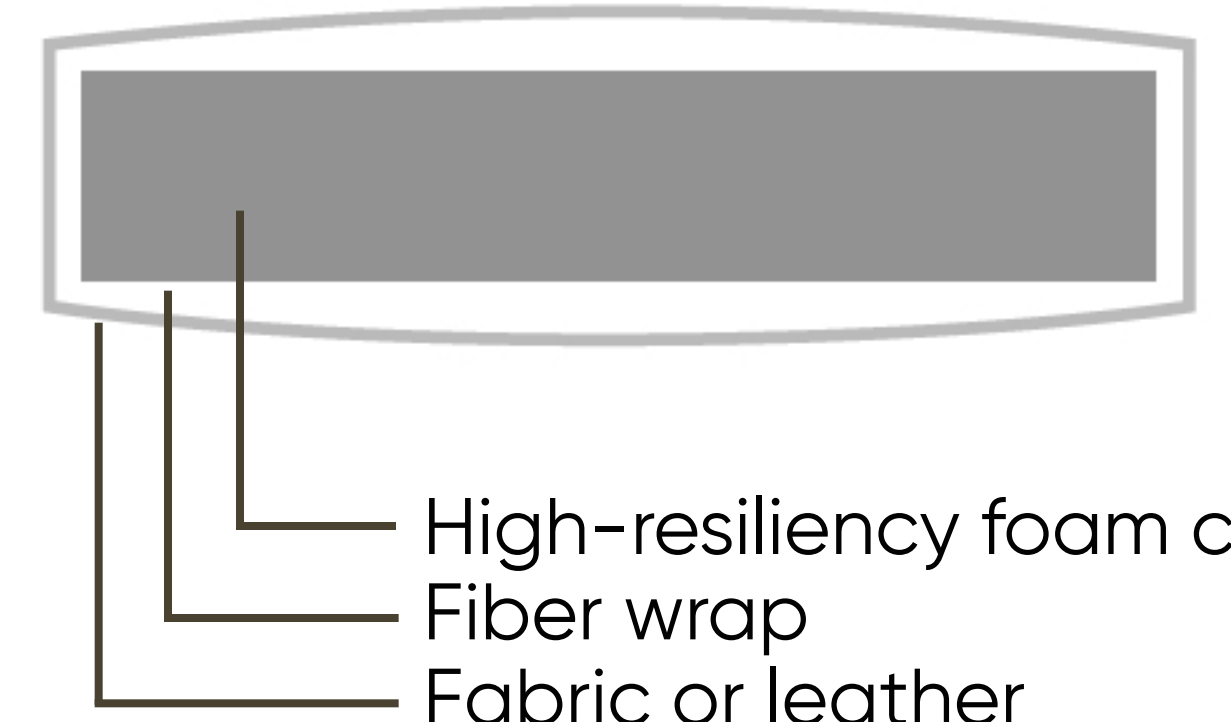
CUSHION FILL

DOWN / TRILLIUM



High-resiliency foam core
Down blend casing
Fabric or leather

FOAM



High-resiliency foam core
Fiber wrap
Fabric or leather

LEG FINISHES

DUNE

ANTIQUE BRASS

EBONY

BURNISHED BRONZE

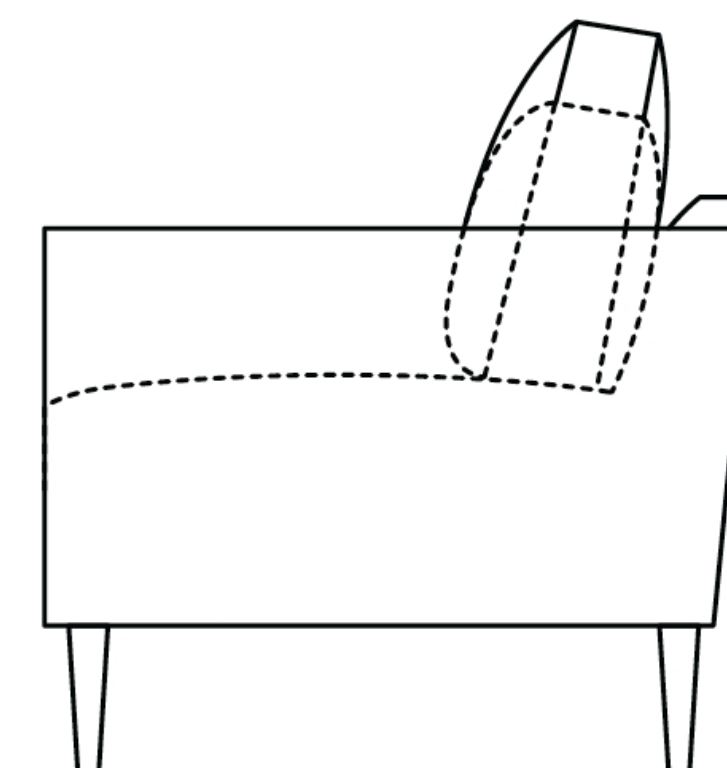
MINK

POLISHED NICKEL

OILED ASH

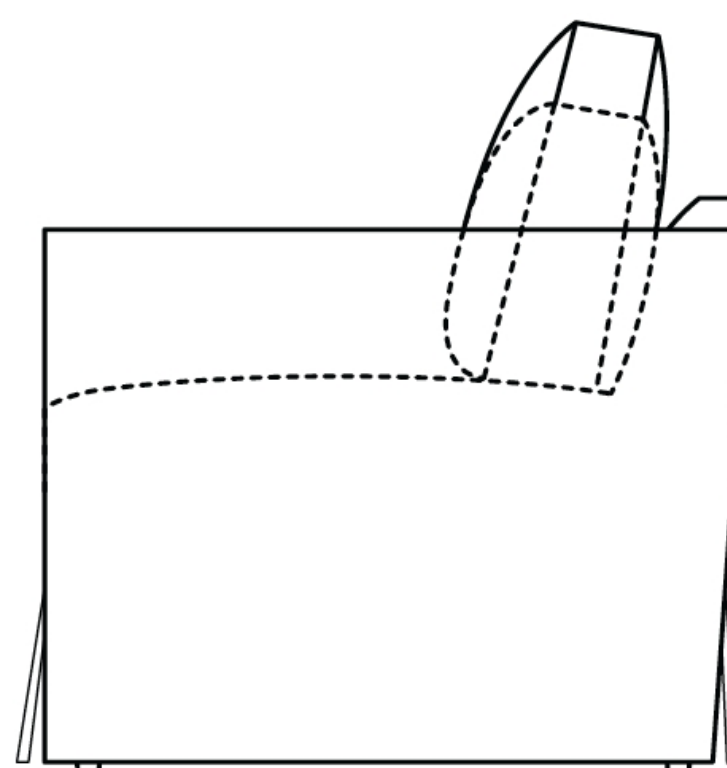
NATURAL WALNUT

LEG STYLE



UPHOLSTERED (NO SKIRT)

Available in multiple wood and metal finishes.

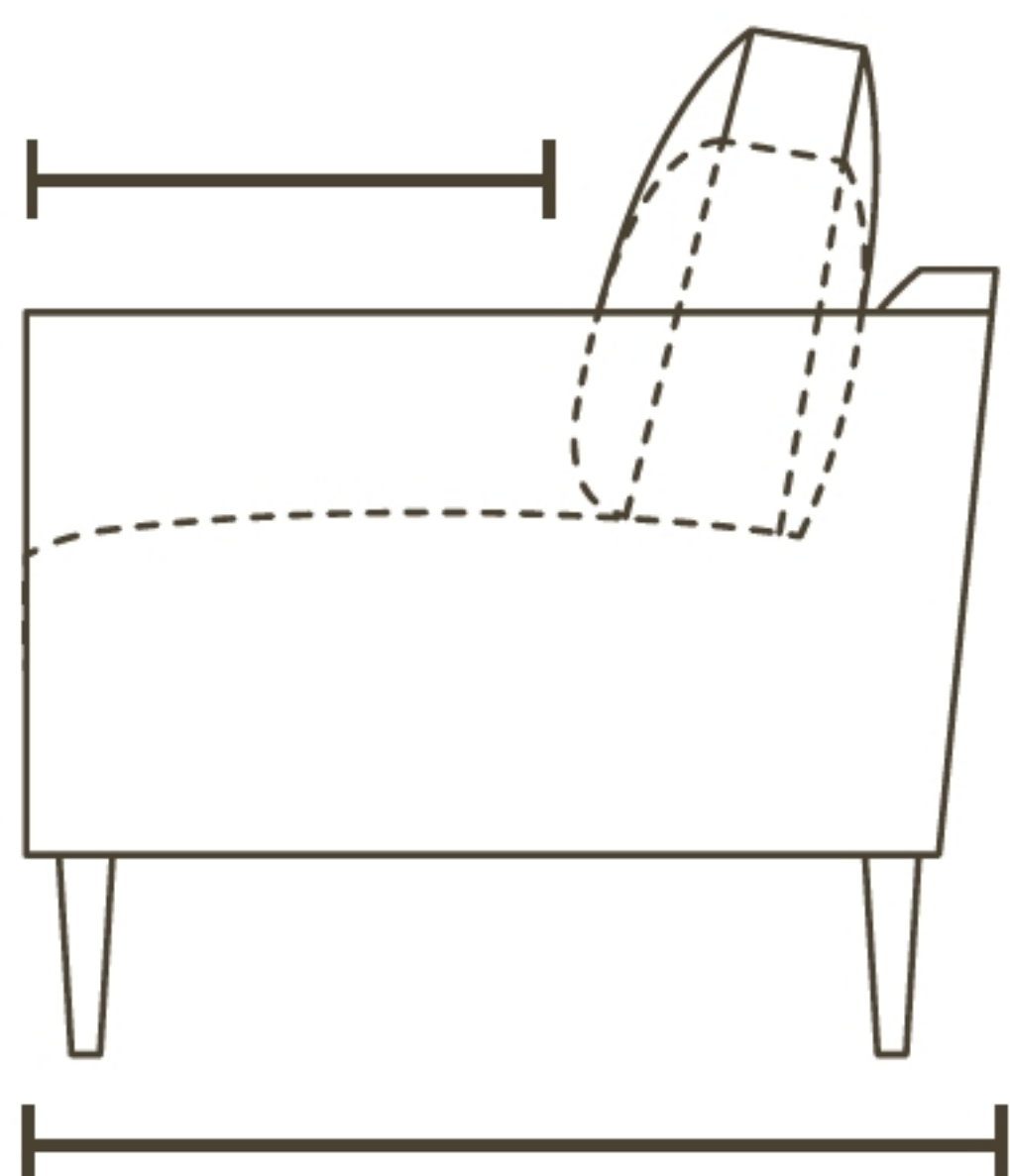


SKIRTED

**Up charge*

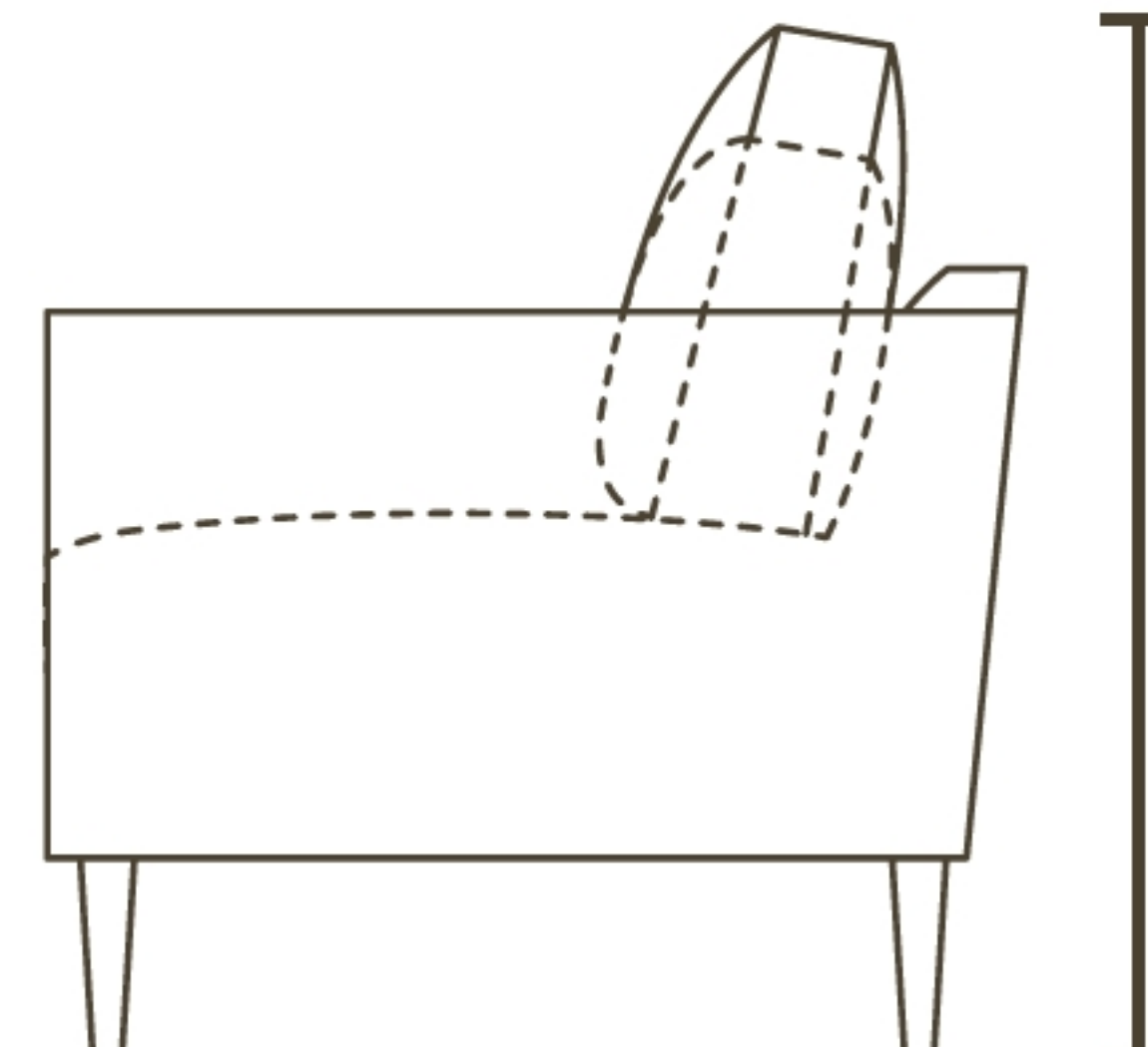
Skirted leg includes a concealed leg in Stained Walnut finish (*not available as an option on non-skirted styles*)

SEAT DEPTH



GRAND	OVERALL DEPTH	42"
	SEAT DEPTH	27"
STUDIO	OVERALL DEPTH	38"
	SEAT DEPTH	23"
MICRO	OVERALL DEPTH	33"
	SEAT DEPTH	19"

BACK HEIGHT



LOW PROFILE	OVERALL DEPTH	33"
HIGH PROFILE	OVERALL DEPTH	36"